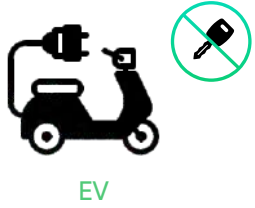


# KSIPRA BHARAT AC001

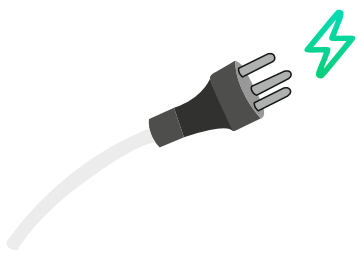
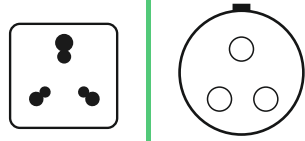
## Charger Instructions

### 1. BEFORE YOU START



1. Ensure that your EV is turned off

2. Check if the EV charging station has the supporting connector for your EV



3. Plug in the off board charger

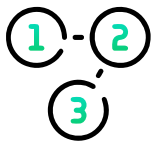
### Charging with the Verdemobility App

#### 2. TO START CHARGING



1. Open the Verdemobility app

2. Scan the QR code for the connector



3. Follow instructions on app

#### 3. TO STOP CHARGING

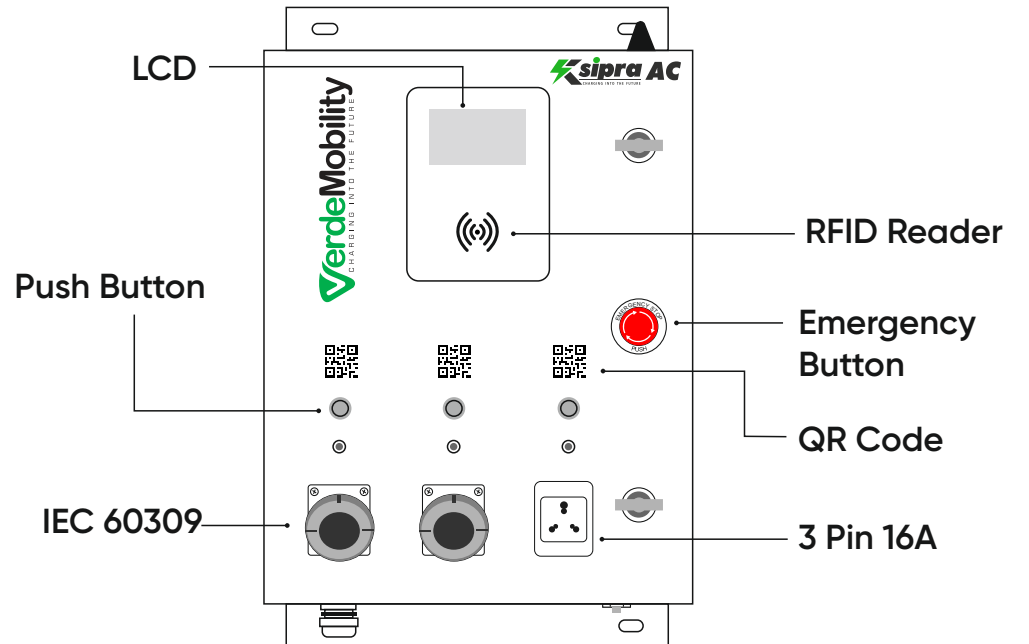


Open the Verdemobility app and tap on 'Stop charging'

Please note

- Charging stops automatically on a full charge
- Do not start the vehicle while charging

### NOMENCLATURE



### Charging with the RFID

#### 2. TO START CHARGING WITH CONNECTOR

1. Tap your RFID card
2. Press Push Button
3. Wait for the authorization to complete
4. Charging starts automatically

#### 3. TO STOP CHARGING

1. Tap your RFID card again
2. Press Push button for 3 seconds to stop charging

### LED INDICATORS

- Charging connector available
- Preparing for charge
- Charging
- Fault or connectivity error



Scan the QR Code to Download the **VerdeMobility App**

**Emergency : Press the red mushroom button immediately to stop charging in case of any emergency.**

Customer care : [support@verdemobility.com](mailto:support@verdemobility.com) | 1800 313 2244 | [www.verdemobility.com](http://www.verdemobility.com)